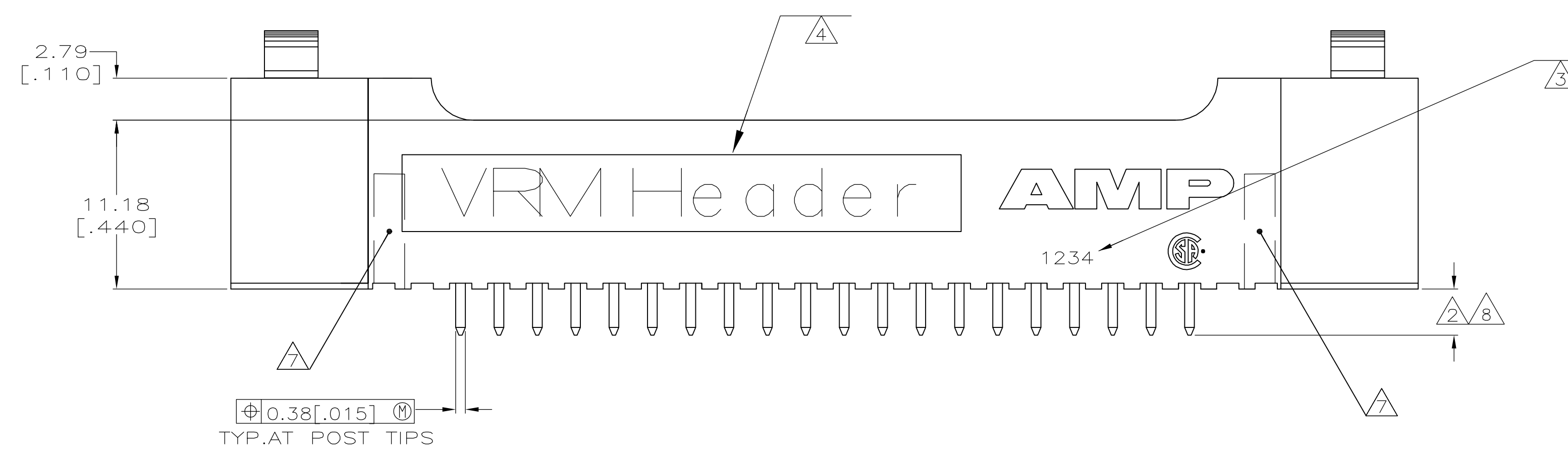
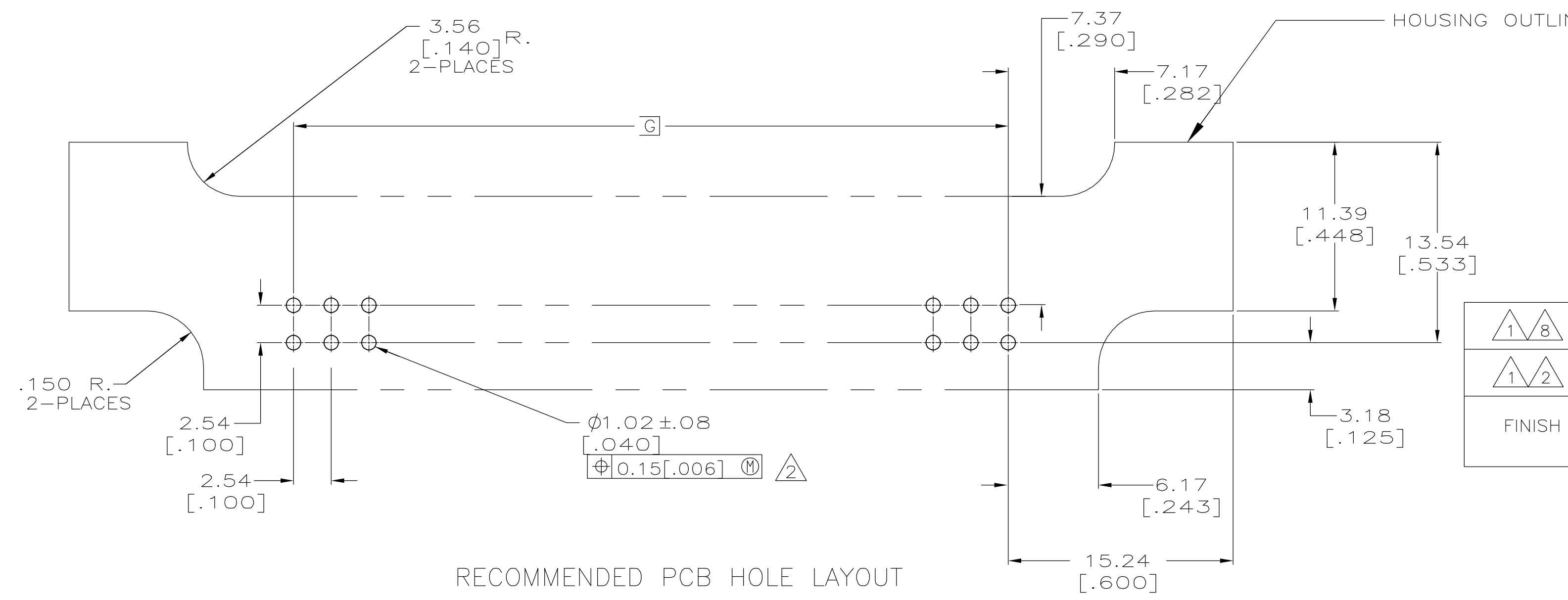


SECTION Z-Z



- △ FINISH OVER INDICATED AREA: 0.000762[.000030] MIN GOLD OVER 0.00127[.000050] NICKEL. MEETS EIA-364-53 POROSITY, MEAS. AREA .130 FROM TIP.
- △ FINISH OVER INDICATED AREA: 0.00254[.000100]-0.00635[.000250] MATTE OR BRIGHT TIN-LEAD OVER 0.00127[.000050] NICKEL.
- △ DATE CODE EITHER SIDE, WITH COUNTRY OF ORIGIN IF APPLICABLE.
- △ "VRM Header" MOLDED INTO BOTH SIDES OF HOUSING. WITH MATTE BACKGROUND.
- △ MATERIAL: GLASS FILLED VO THERMOPLASTIC
COLOR: OFF WHITE, SIMILAR TO PANTONE (R) 4545C
- 6. RESTRICTED TO INTEL VRM PROGRAM
- △ VOID CORING OPTIONAL IN THIS AREA.
- △ FINISH OVER INDICATED AREA 0.00254-0.00635 (.000100-.000250) MATTE TIN OVER 0.00127 (.000050) NICKEL. MEETS EIA-364-53 POROSITY, MEAS. AREA .130 FROM TIP.
- △ ROHS 2002/95/EC COMPLIANT.



RECOMMENDED PCB HOLE LAYOUT

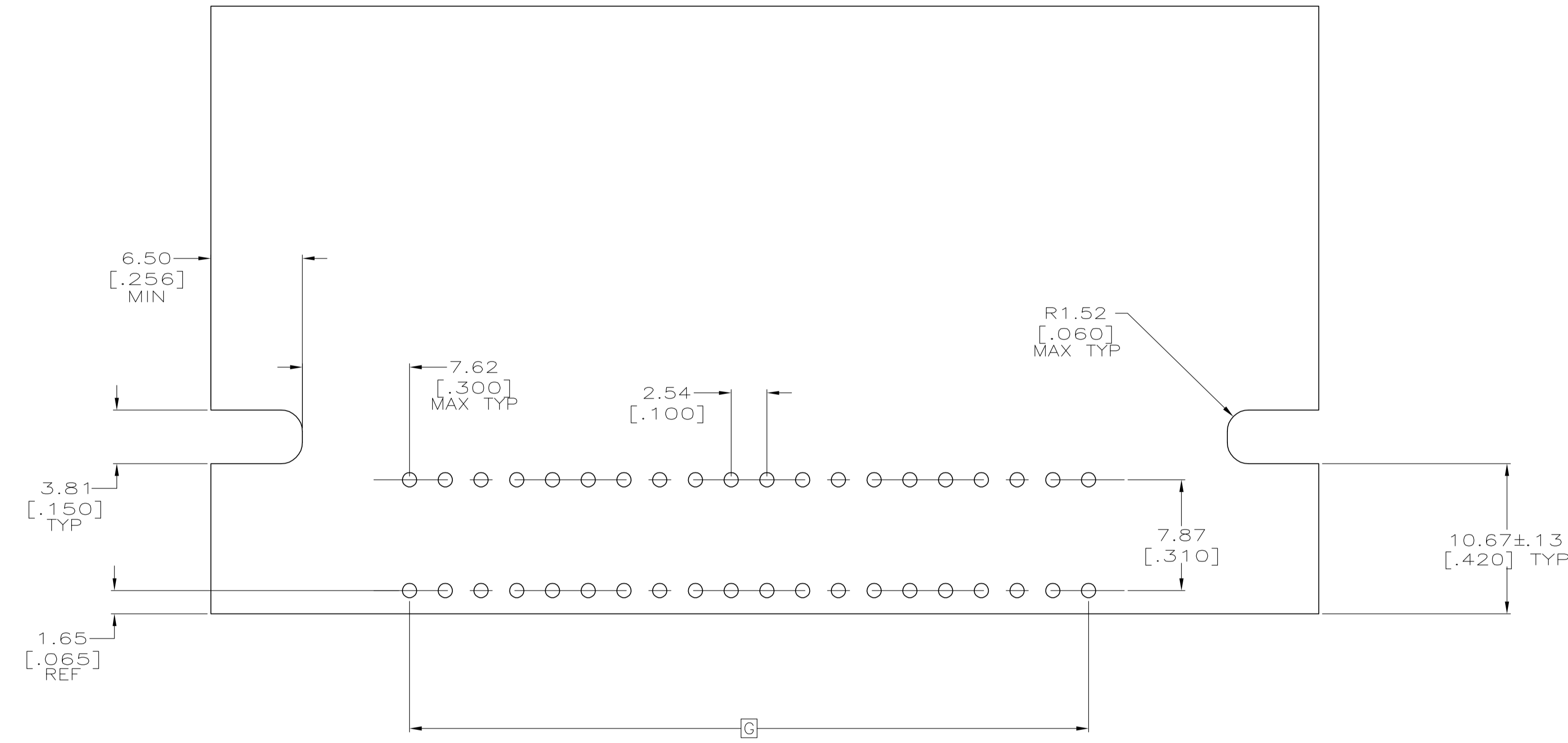
△1△8	48.26 [1.900]	70.61 [2.780]	57.65 [2.270]	78.74 [3.100]	58.42 [2.300]	48.26 [1.900]	19	40	△9	5-146315-1
△1△2	48.26 [1.900]	70.61 [2.780]	57.65 [2.270]	78.74 [3.100]	58.42 [2.300]	48.26 [1.900]	19	40		146315-1
FINISH	G	F	E	D	C	B	A	NO OF POSN		PART NUMBER

THIS DRAWING IS A CONTROLLED DOCUMENT.

DWN	J. KNAUB	1-21-95		Tyco Electronics Corporation					
CHK	H. PALEY	1-21-95		Harrisburg, PA 17105-3608					
APVD	H. PALEY	1-21-95		NAME					
PRODUCT SPEC				VRM8 HEADER, MOD II, DBL ROW, 2 PIECE, .100 X .100CL WITH BOARD LATCH WITH BOARD LATCH					
APPLICATION SPEC			SIZE	CAGE CODE	DRAWING NO	RESTRICTED TO			
MATERIAL	SEE TABLE		A1	00779	146315				
FINISH			CUSTOMER DRAWING	SCALE	4:1	SHEET	1 OF 2	REV	D1

THIS DRAWING IS UNPUBLISHED. RELEASED FOR PUBLICATION
COPYRIGHT BY TYCO ELECTRONICS CORPORATION. ALL RIGHTS RESERVED.

LOC		DIST		REVISIONS			
AD	39	REV	LYR	DESCRIPTION	DATE	BY	APP'D
				SEE SHEET 1			



THIS DRAWING IS A CONTROLLED DOCUMENT.		DIN J KNAUB 1-21-95	tyco Electronics	Tyco Electronics Corporation Harrisburg, PA 17105-3608
DIMENSIONS: mm		CHK H PALFY 1-21-95		AP'D H PALFY 1-21-95
TOLERANCES UNLESS OTHERWISE SPECIFIED:		APPLICATION SPEC		
0 PLC ± -		SIZE: A1		
1 PLC ± -		CAGE CODE: 00779		
2 PLC ± .010		DRAWING NO: 146315		
3 PLC ± .005		RESTRICTED TO: -		
4 PLC ± .0005		WEIGHT: -		
ANGLES ± -		CUSTOMER DRAWING		
MATERIAL: 5		SCALE: 4:1		
FINISH: SEE TABLE		SHEET 2 OF 2		
		REV D1		